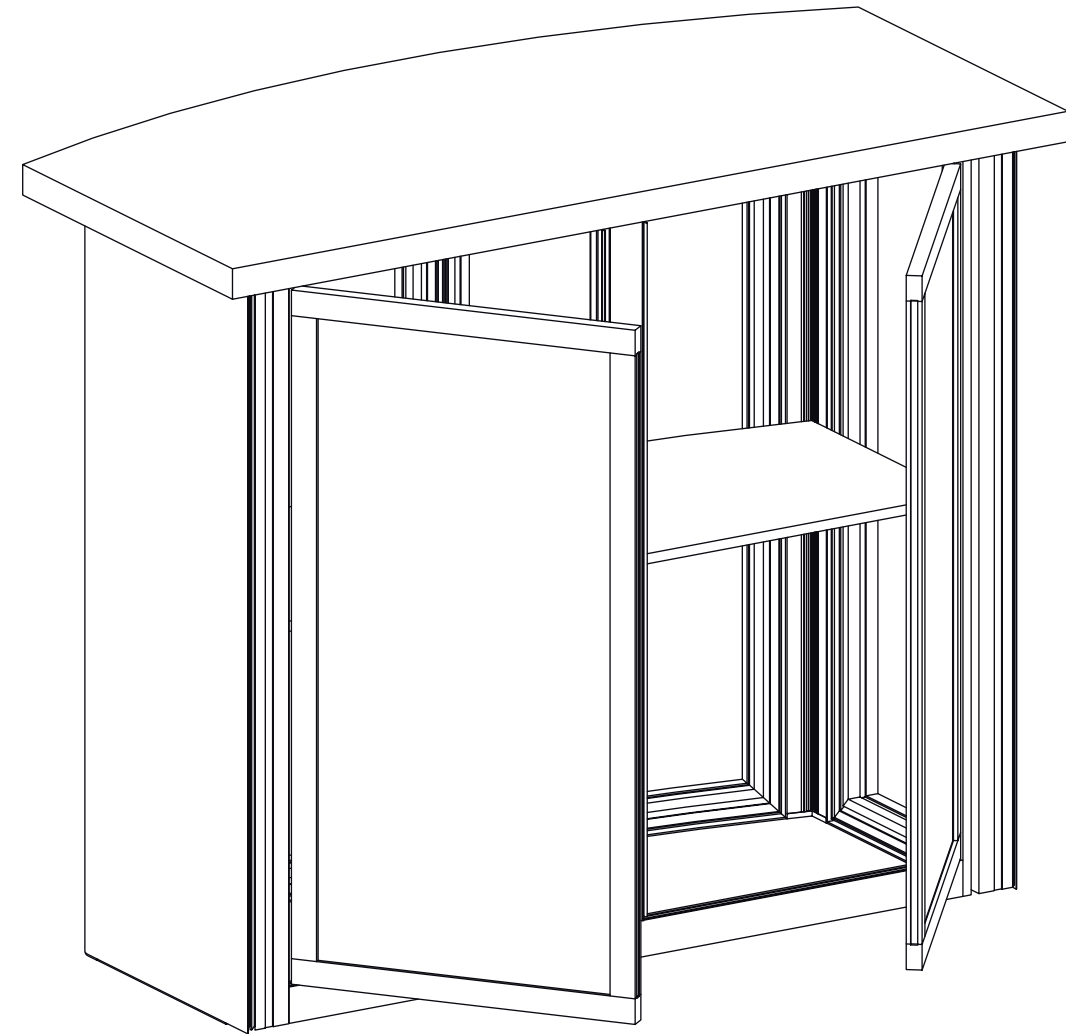


FRONT VIEW



BACK VIEW

SETUP INSTRUCTIONS

General Setup Instructions

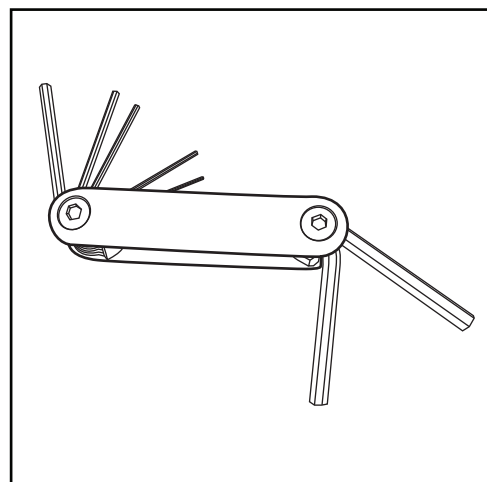
- Read entire setup instruction manual prior to unpacking parts and pieces.
- The setup instructions are created specifically for this configuration.
- Setup instructions are laid out sequentially in steps, including exploded views with detailed explanation for assembly.

Cleaning & Packing

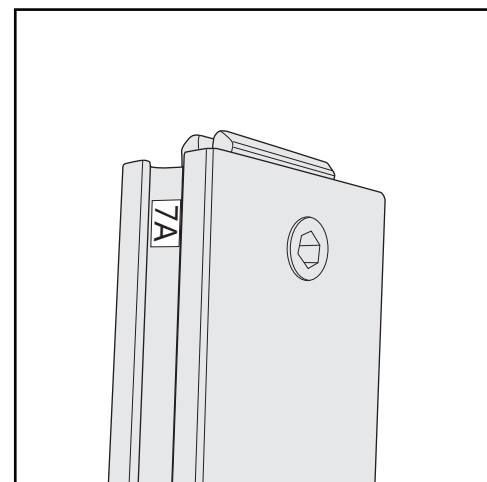
- For Cleaning Metal, Plex, & Laminate Parts: Use a **MILD NON-ABRASIVE** cleanser and soft cloth/paper towel to clean all surfaces.
- Keep exhibit components away from heat and prolonged sun exposure. **Heat and UV exposure will warp and fade components.**
- Retain all provided Packing Materials. All provided packing materials are for ease of repacking & component protection.

Disassembly

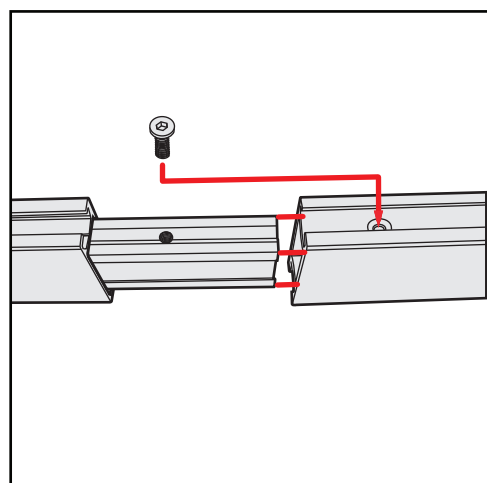
- For loss prevention, tighten all set screws and locks during disassembly.



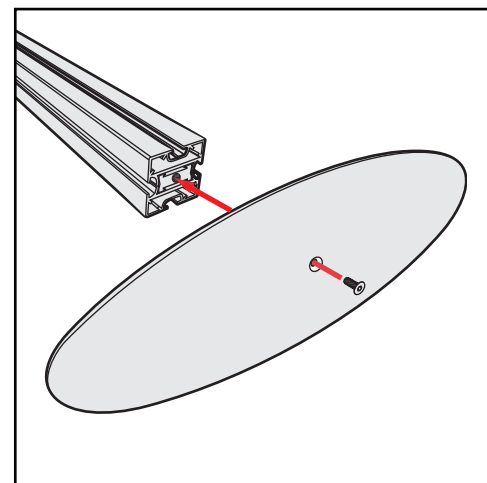
Hex Tool - Essential for Assembly



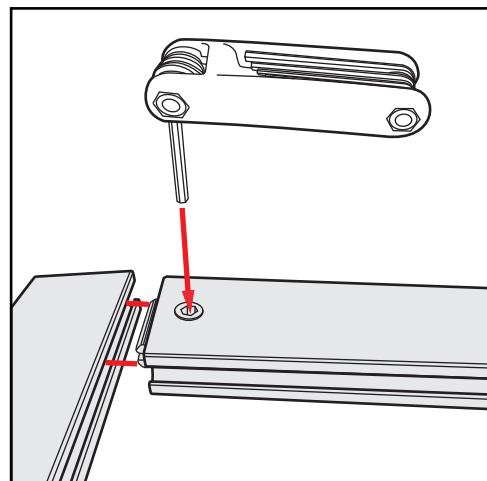
Part Identification - Numbering



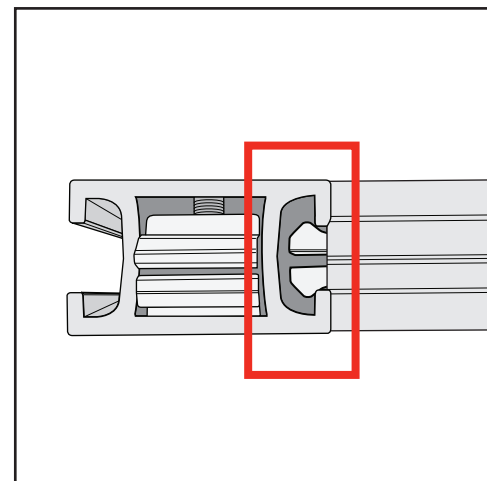
Spline Connection



Base Plate & Extrusion Connection



Extrusion & Lock Connection



Engaged Lock



WARNING



DO NOT USE POWER TOOLS



LADDERS OR LIFTS
MAY BE REQUIRED



ALL CONNECTIONS MUST
BE TIGHTLY SECURED



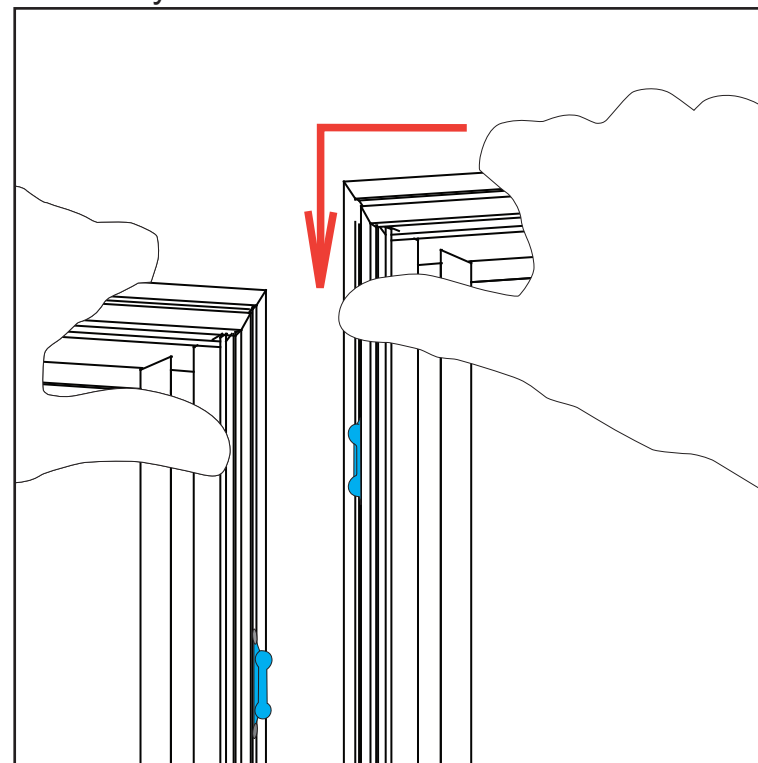
Side-by-Side Assembly

- 1) Frames: Place frames side-by-side with one higher than the other, then slide panel down to lock panels securely together.
- 2) Corner Connectors: Repeat Step 1 for installing corner connectors to frames.

Side-by-Side Disassembly

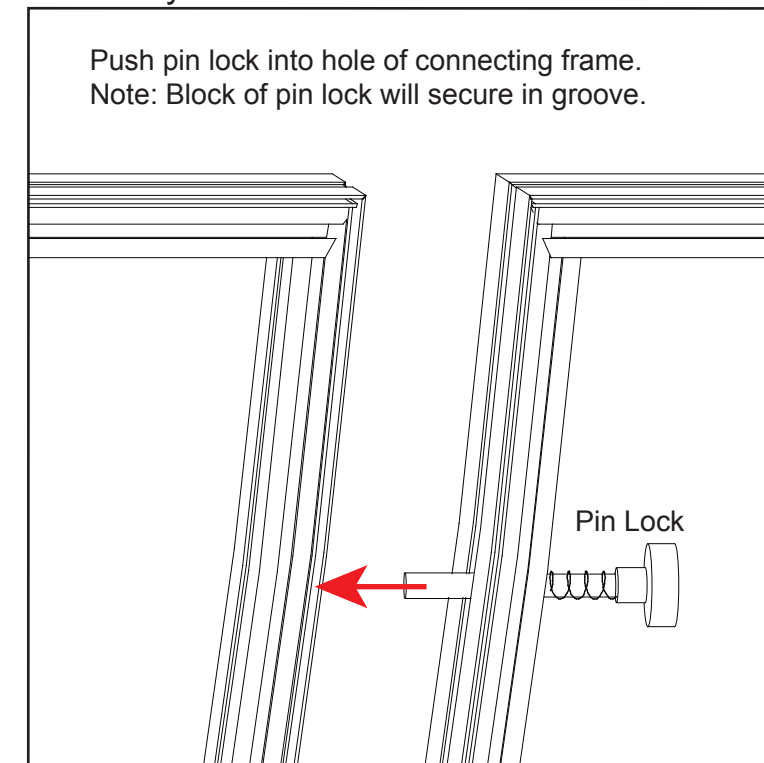
- 1) Pull pin lock outwards to disengage.
- 2) Pull frames upward and apart at the same time to detach.

Assembly

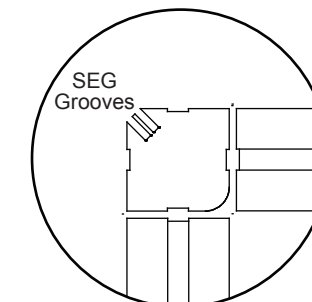


Assembly Cont'd

Push pin lock into hole of connecting frame.
Note: Block of pin lock will secure in groove.



Corner Connector



Top View

Note: Orientation of Corner Connector may change.

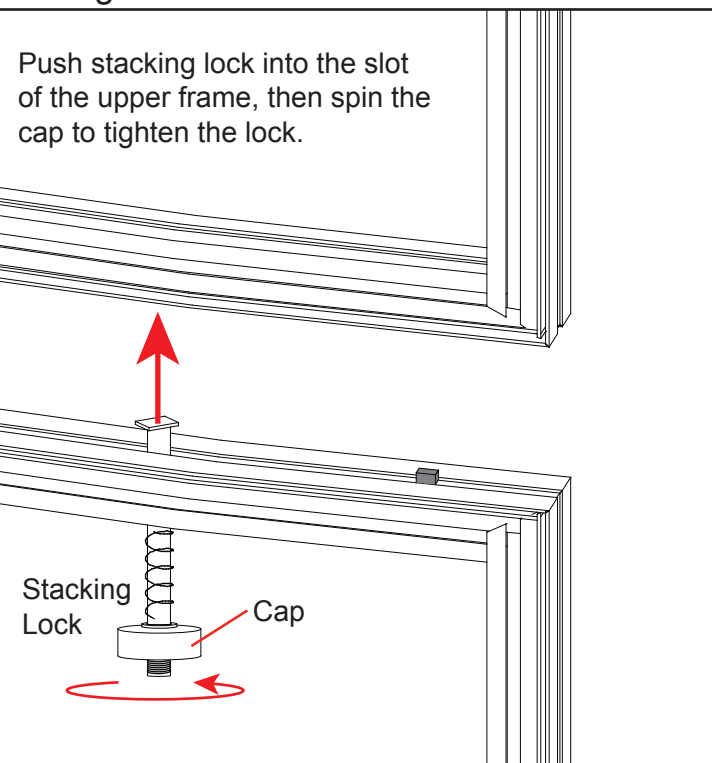
Stacking Assembly

- 1) Place one horizontal frame on top of the other, lining up the center grooves.
- 2) Turn stacking lock clockwise to tighten into place. Repeat for each lock.

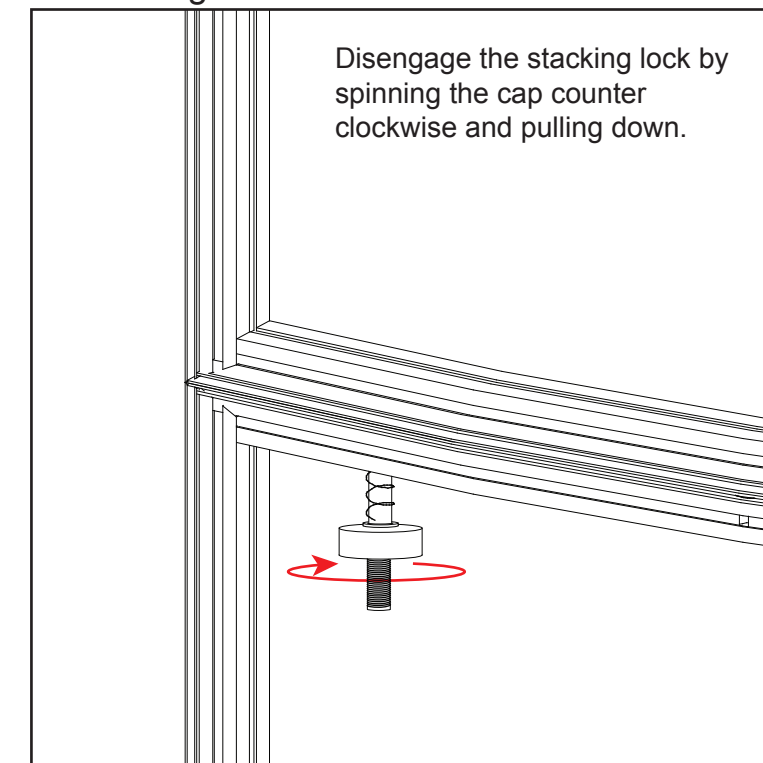
Stacking Disassembly

- 1) Turn the stacking lock counter-clockwise to loosen.
- 2) The whole spring on the stacking lock should be in view to release each frame. The disengaged spring should release the stacking lock. If not, keep turning the stacking lock until it disengages.

Stacking



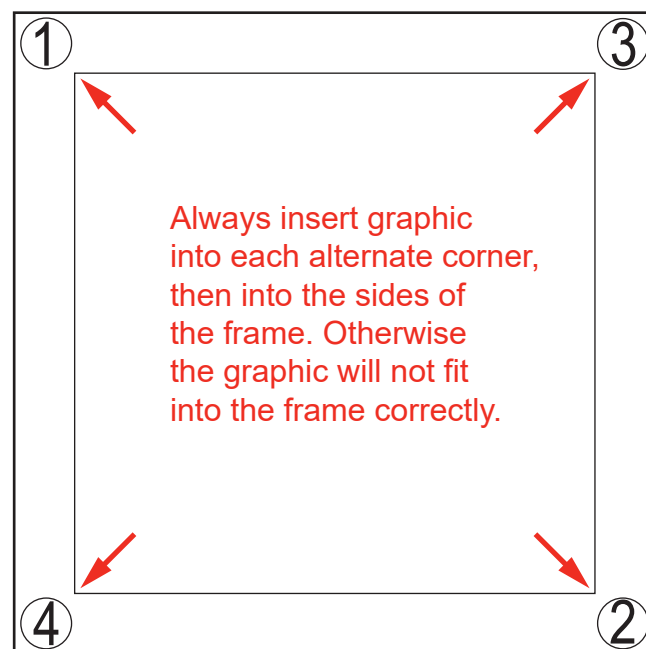
Unstacking



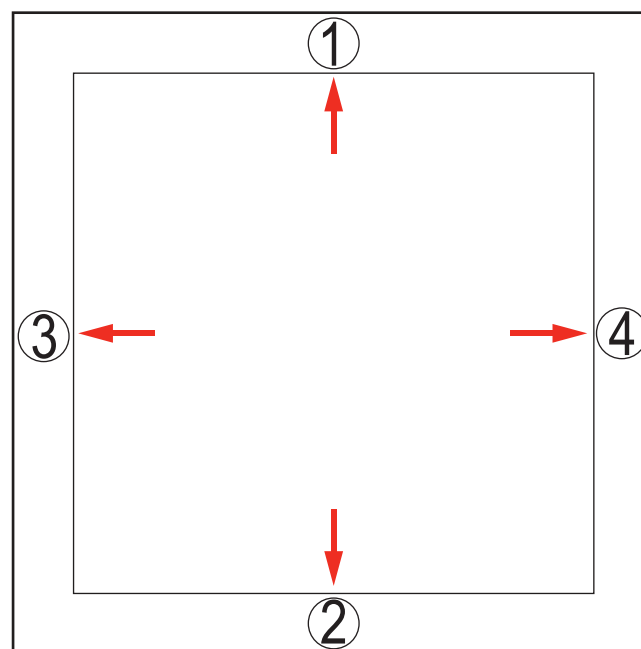
The Perfect Fit

SEG Graphic Installation in 3 Steps

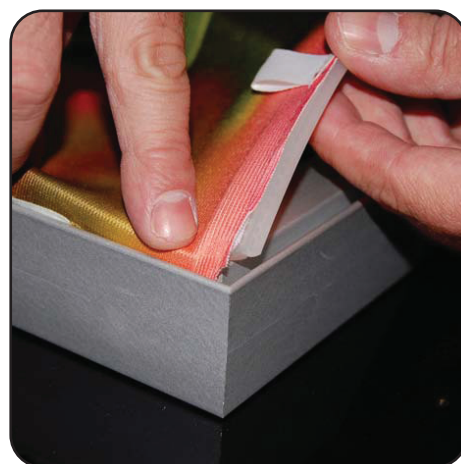
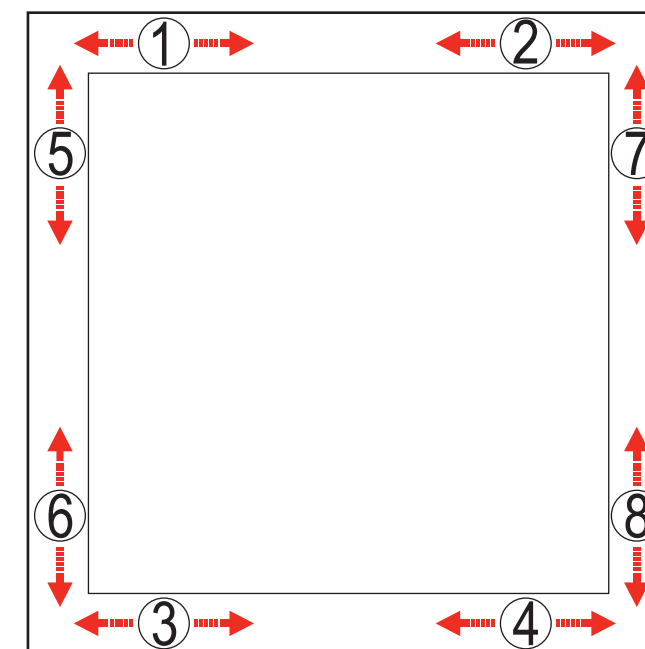
STEP 1: Attach Corners



STEP 2: Attach Middle



STEP 3: Attach Sides



Insert narrow side of silicone welt into the channel at corner 1, with fabric to the outside.

Repeat for opposite corner 2, then corner 3, then corner 4.

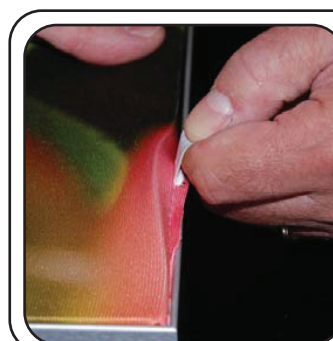
Once corners are attached, press the middle of edge 1 into the channel. Then press middle of edge 2 into the channel on opposite side.

Repeat with edge 3 & 4.

Once the middle of sides are attached, fully press the silicone welt into the channel, between center and corner at location 1. Repeat the process between center and corner at location 2.

Do the same for welt on opposite side, at locations 3 & 4. Then repeat for locations 5 & 6 and 7 & 8.

Once the welt is fully inserted on all sides, smooth out edges as needed for a perfect fit.



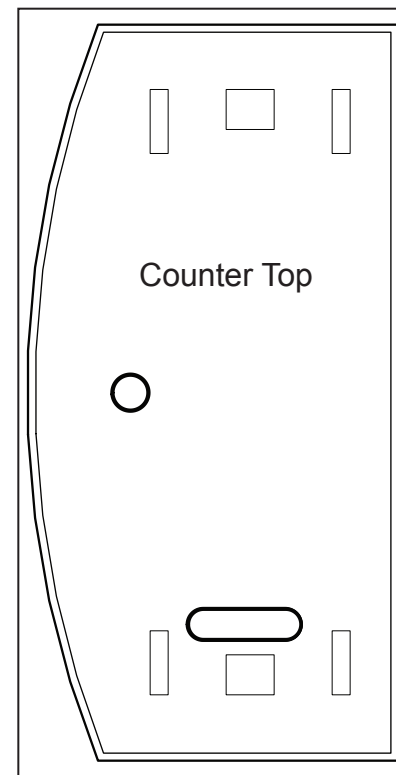
To remove the graphic from the frame, locate the fabric pull tab. Gently pull on the tab to remove the graphic.

Install video:

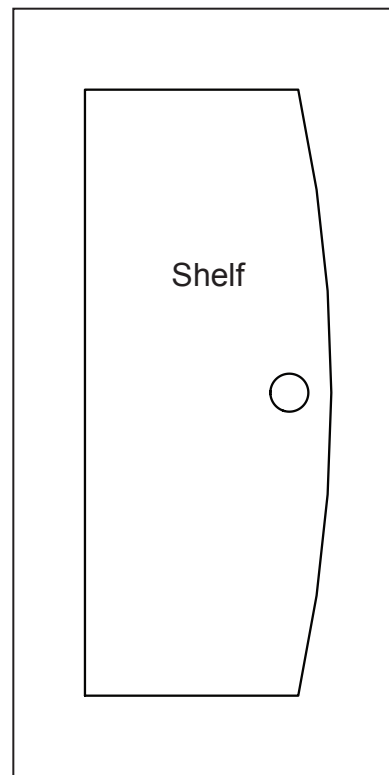


*Retain all packing materials.
DO NOT DISCARD.*

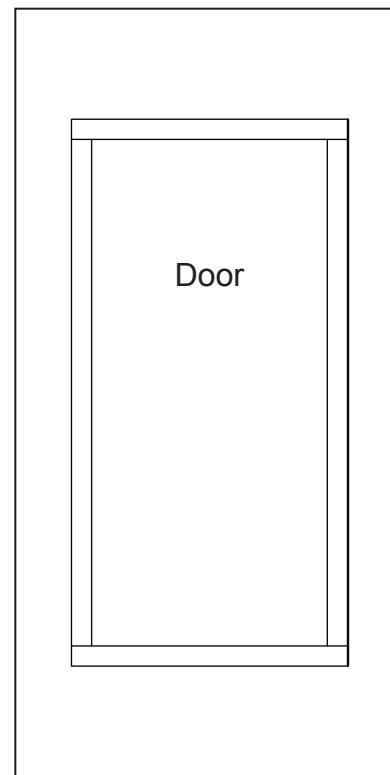
Top View of Each Level



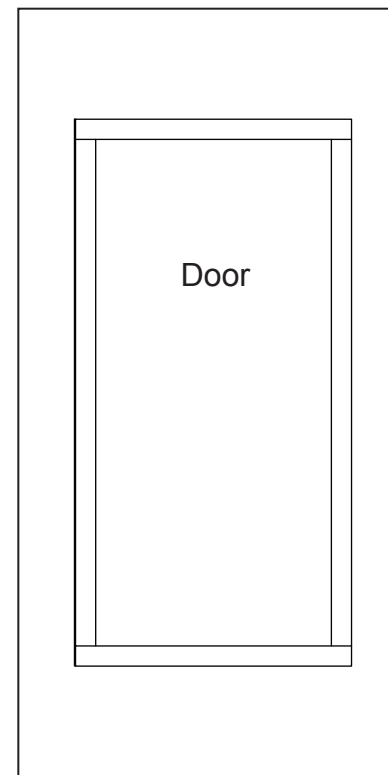
Level 1
(Bottom level)



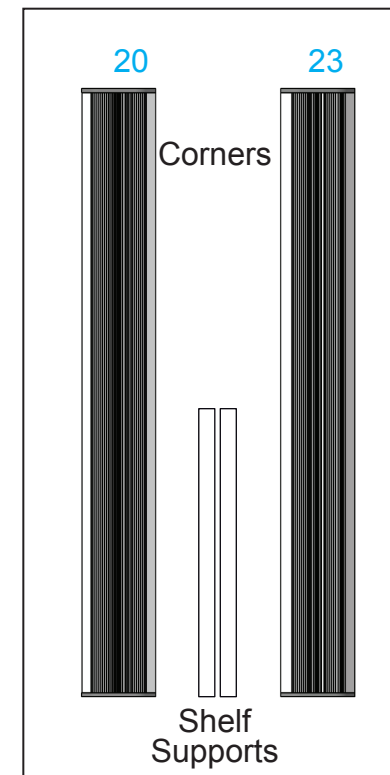
Level 2



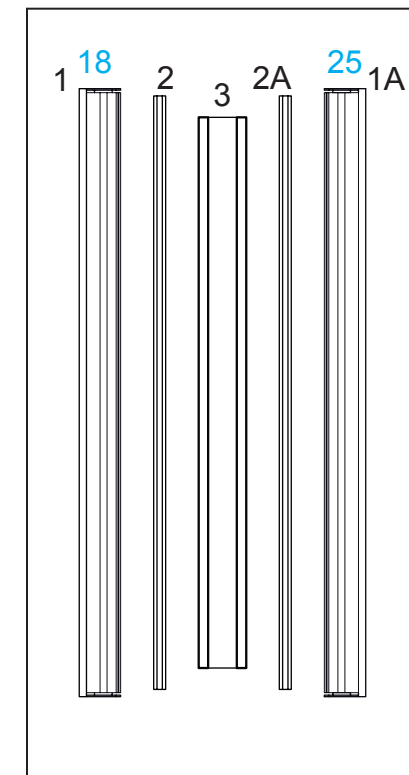
Level 3



Level 4



Level 5

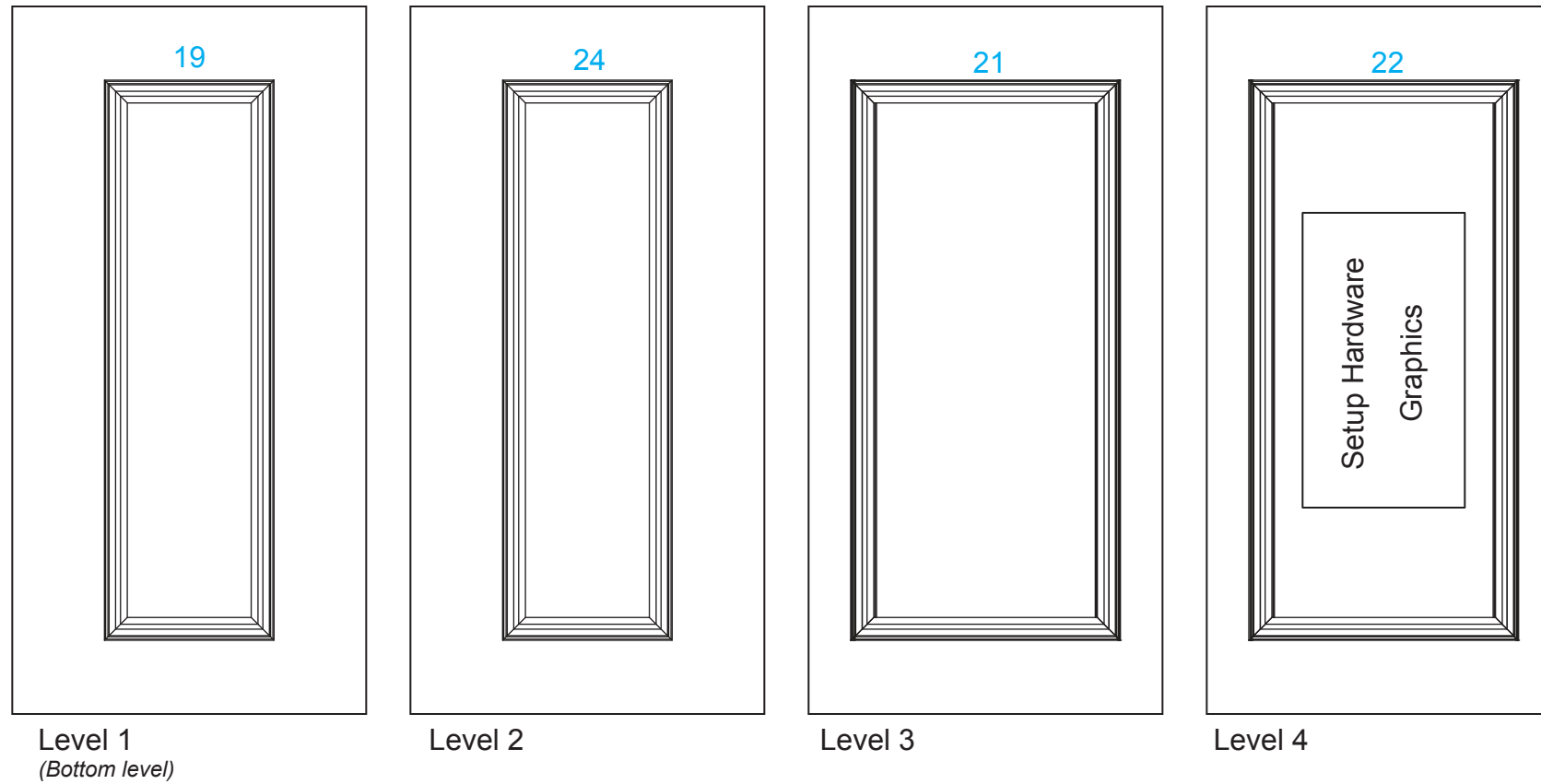


Level 6

• Assembly-Disassembly •
If frames or parts are already assembled, do not disassemble. Retain Assemblies when re-packing.

*Retain all packing materials.
DO NOT DISCARD.*

Top View of Each Level

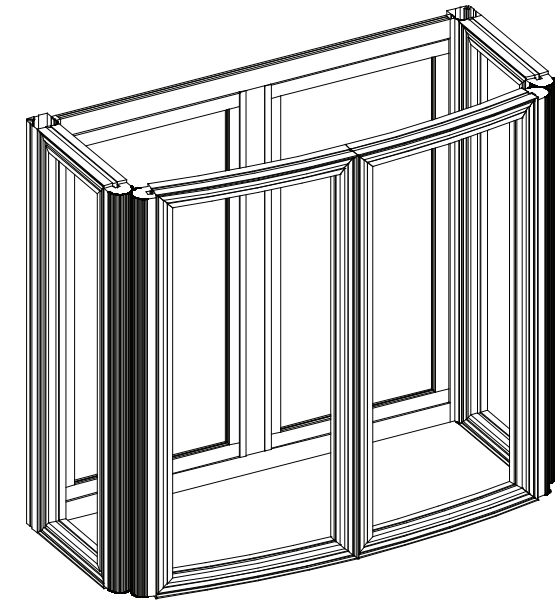


• Assembly-Disassembly •
If frames or parts are already assembled, do not disassemble. Retain Assemblies when re-packing.

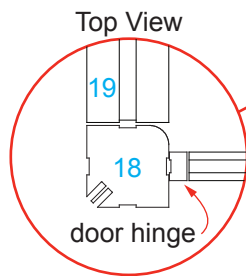
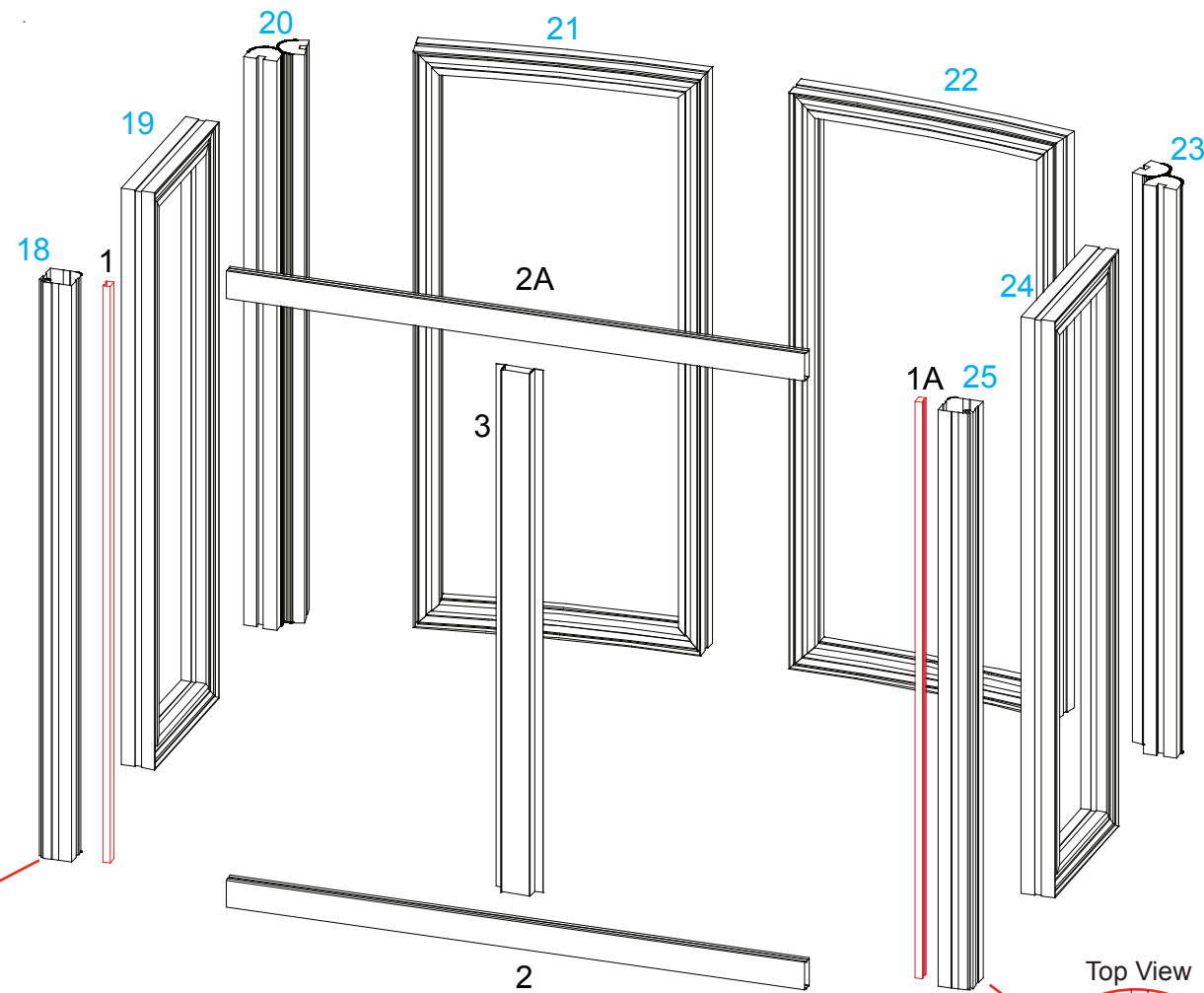
Item	Qty.	Description
18	1	37.5" h Gravitee Corner Post w/ caps
19	1	11.5" w x 38" h Gravitee Panel
20	1	37.5" h Gravitee Hinged Connector
21	1	18.327" w x 38" h curved Gravitee Panel
22	1	18.327" w x 38" h curved Gravitee Panel
23	1	37.5" h Gravitee Hinged Connector
24	1	11.5" w x 38" h Gravitee Panel
25	1	37.5" h Gravitee Corner Post w/ caps
1/1A	1/1	38" h S10 Vertical Extrusion
2/2A	1/1	37.0945" w Z45 Horizontal Extrusion w/ Door Hinge
3	1	34.417" h Z45 Horizontal Extrusion w/ Door Stops

Steps:

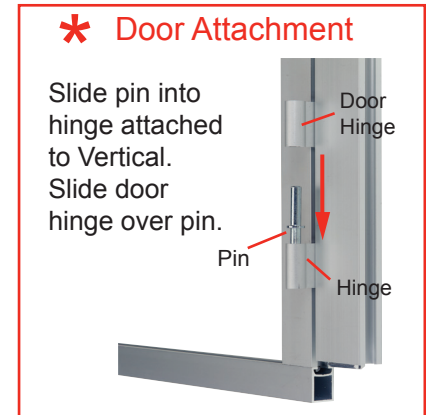
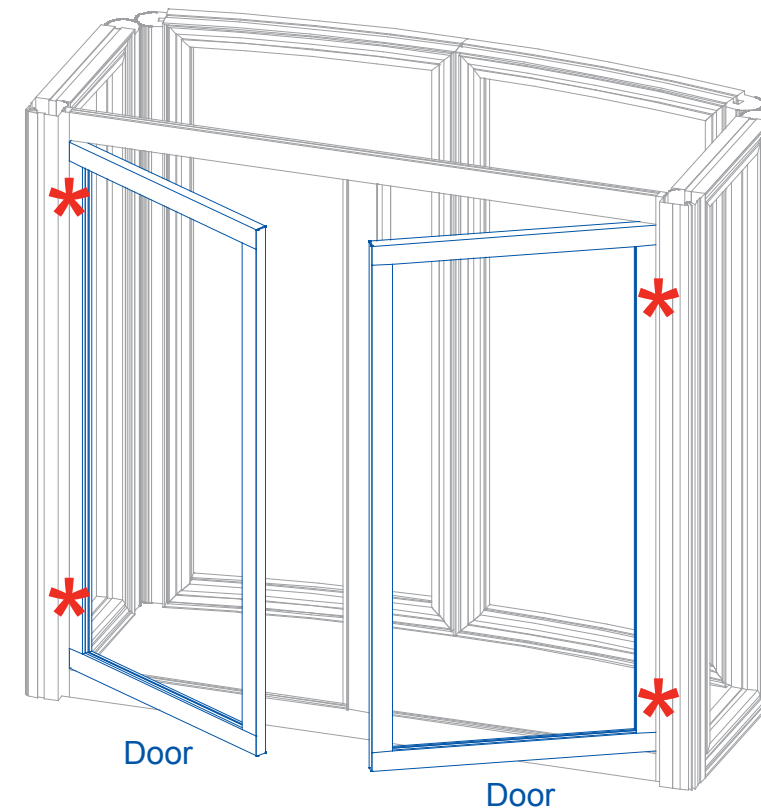
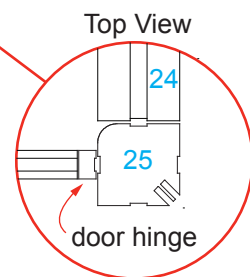
- 1) Assemble Gravitee panels & posts [18] through [25], in numerical order as shown.
- 2) Connect vertical extrusion [1] to post [18]; attach vertical [1A] to post [25].
- 3) Attach horizontal extrusions [2,2A] between posts [18,25].
- 4) Install Doors to [18/1] & [25/1A]. See **Door Attachment** detail.

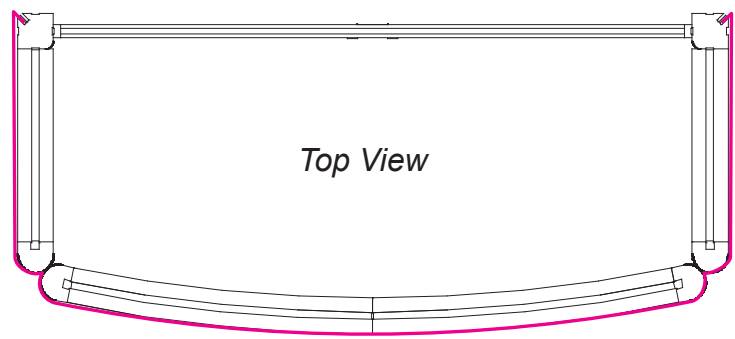


When assembled



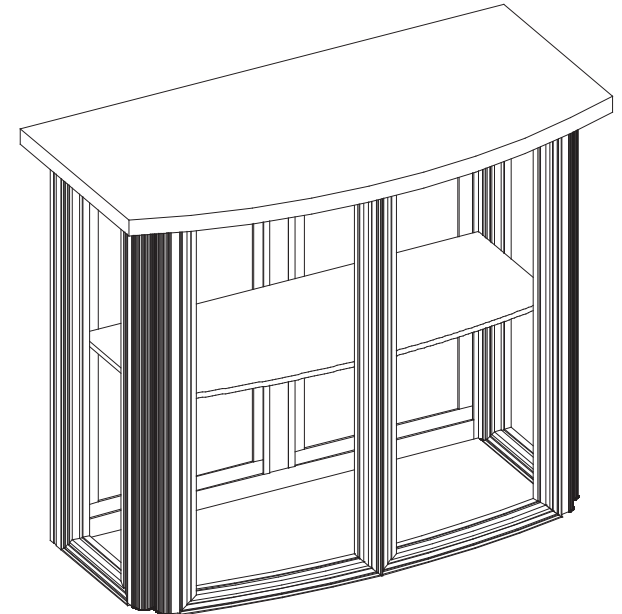
BACK VIEW



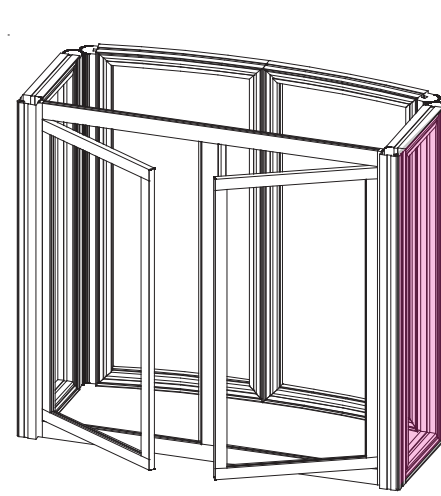


Top View

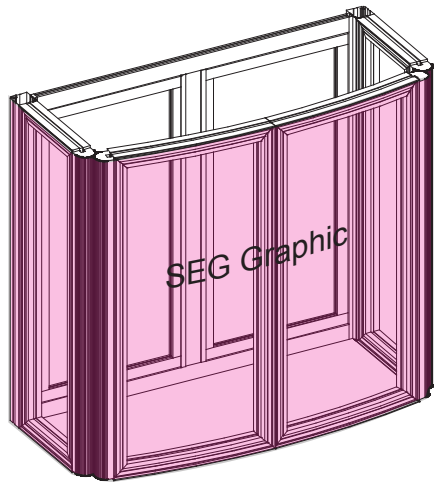
- Steps:
- 1) Wrap SEG Graphic around front & sides of Counter, as shown.
 - 2) Attach Shelf Supports using Velcro; place Internal Shelf.
 - 3) Place Counter Top on top of assembly & secure in place.



When assembled

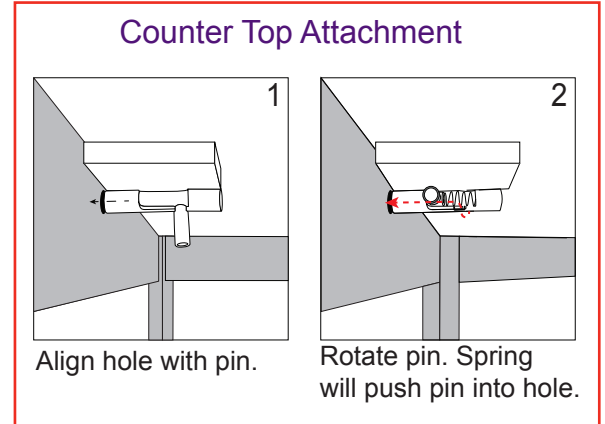
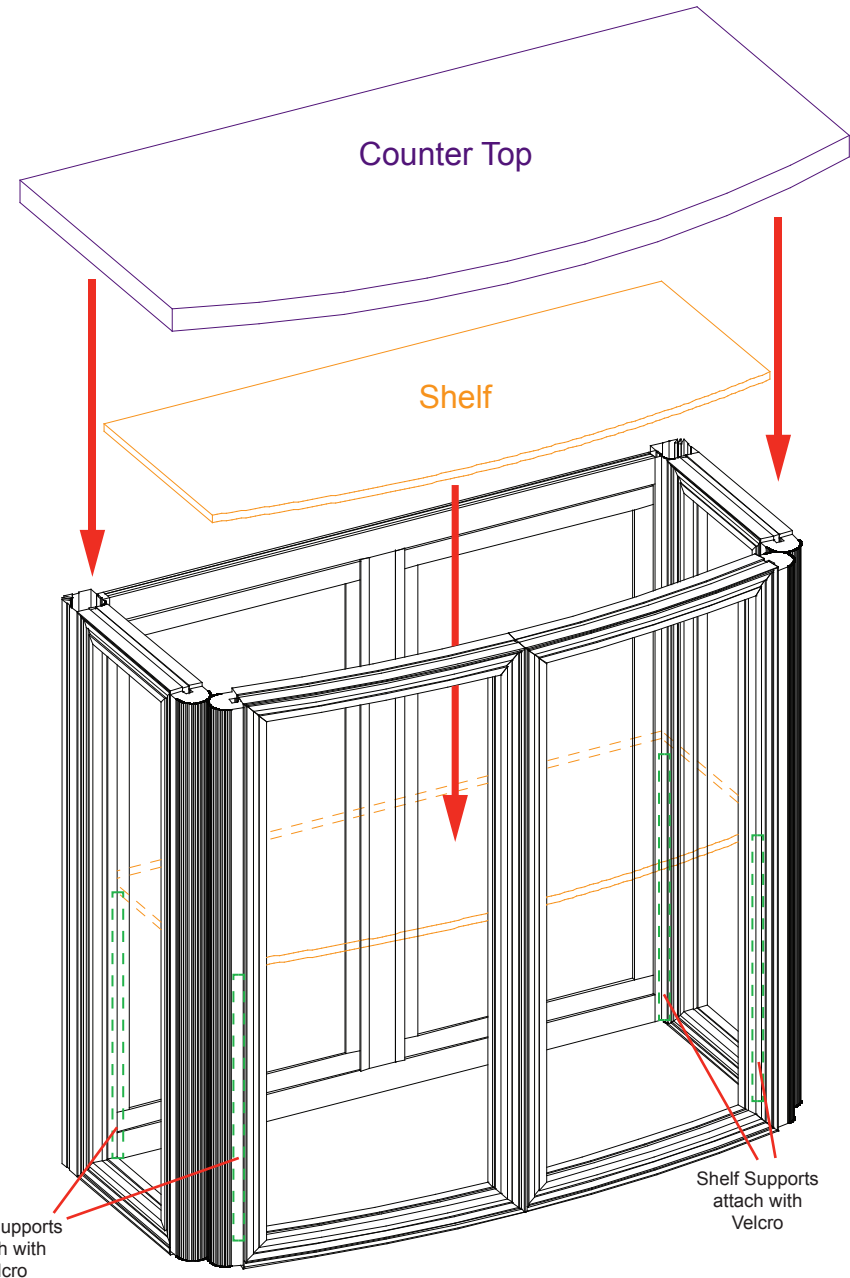


Back View



Front View

For SEG Graphic Installation See General Information Pages.



Shelf Supports attach with Velcro

Shelf Supports attach with Velcro